

THE PDP-1 MECHANISM

is engineered to retrofit directly into alternate manufacturers pump tank bodies for achieving longer product life, better start-up efficiency and heat transfer in normal running conditions.

BENEFITS:

1. Non-electric, compression spring design.
2. No Adjustments needed in the field - Factory set for optimal performance.
3. Single durable Inconel X750 compression coil spring.
4. All internal parts are suspended from the cover and can be removed upward in one piece, for simple maintenance and repair.
5. Three year pressure energized mechanism and lifetime spring warranty.
6. Mechanism retrofits some other pressure pumps.
7. Pressure valve has free floating ball.

SELECTION: See cross reference online at abfluidix.com

CONNECTIONS: Screwed (NPT) 1/2" Pressure, 1" Vent

DIMENSIONS: Nominal in inches

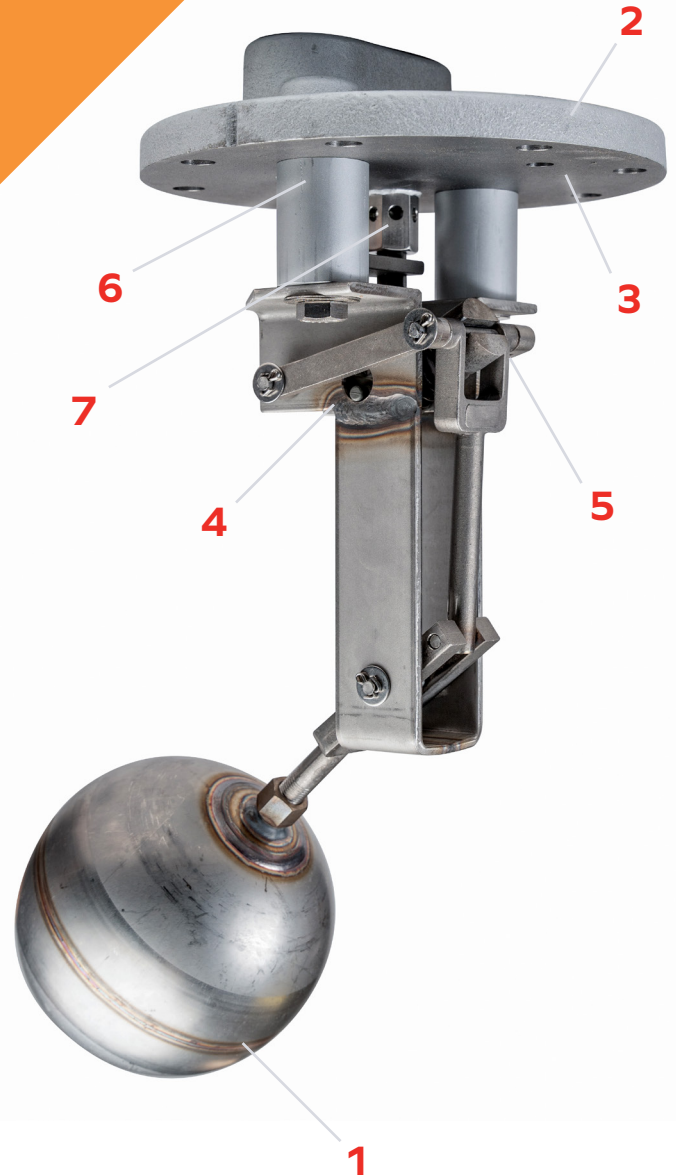
ØD: 9" L: 16.25" Wt.: 28 lbs

INSTALLATION:

Drop in assembly. Float end first with spring closer to the outer wall.

MATERIAL:

No.	Description	Material	
1	Float	304 SS	
2	Cover	Ductile Iron	
*3	Cover Gasket	GHP Graphite	
4	Pressure Energized Unit	Stainless Steel	
5	Spring	Inconel	
6	Pressure Valve Unit	Intake Valve	Stainless Steel
		Valve Seat	Stainless Steel
7	Vent Unit	Exhaust Valve	Stainless Steel
		Valve Seat	Stainless Steel



LIMITING CONDITIONS:

PMA: Max. allowable pressure	150 psig
TMA: Max. allowable temp.	650 °F
PMO: Max. operating pressure	150 psig
TMO: Max. operating temp.	365 °F

AVAILABLE SPARES: GHP Gasket

ORDERING INFORMATION:

Visit abfluidix.com

**Not displayed. Placement shown
All Dimensions in inches. weights in lbs.*